

SERGE**TEK**

Border Overlocking Machine

[MachineDescription]

SERGE**TEK** Border overlocking machine.

Using two inline overlocking sewing heads this machine can overlock a 40mtr border in under a minute.

With High speed, high loft, heavy duty sewing heads and material runout sensors and a rewind unit that creates very tight rolls. This machine is an asset in any mattress manufacturing operation.

MATTRES**STEK** are focused on high performance, only using leading suppliers and high-quality components to reduce downtime and improve efficiency.

MATTRES**STEK** machines are designed to be maintenance friendly. Mechanical and electrical assemblies can be easily replaced and simply plugged in, reducing the need for an electrical/mechanical technician.

All MATTRES**STEK** machines are designed, manufactured and built at our premises in the UK, by our team of experienced fabricators and machine builders.

Prior to shipment all machines are meticulously tested and trialled on customer samples.

SERVICES AVAILABLE

Technical Support Installation and Setup
Bespoke Machine Designs
Maintenance
Parts
Hardware Support
Warranty work and lifetime support



MATTRES**STEK** have developed a dual overlocking machine to overlock your borders with one single pass. With High speed, high loft, heavy duty sewing heads and material runout sensors and a rewind unit that creates very tight rolls. This machine is an asset in any mattress manufacturing operation.



MATTRESSTEK****
MACHINERY FOR THE MATTRESS INDUSTRY

Unit 12A, Metcalf Drive, Altham Industrial Estate
Lancashire, United Kingdom BB5 5TU
www.mattresstek.co.uk sales@mattresstek.co.uk
Tel: +44 (0)1282 479922

SERGETEK

Border Overlocking Machine

[MachineFeatures]

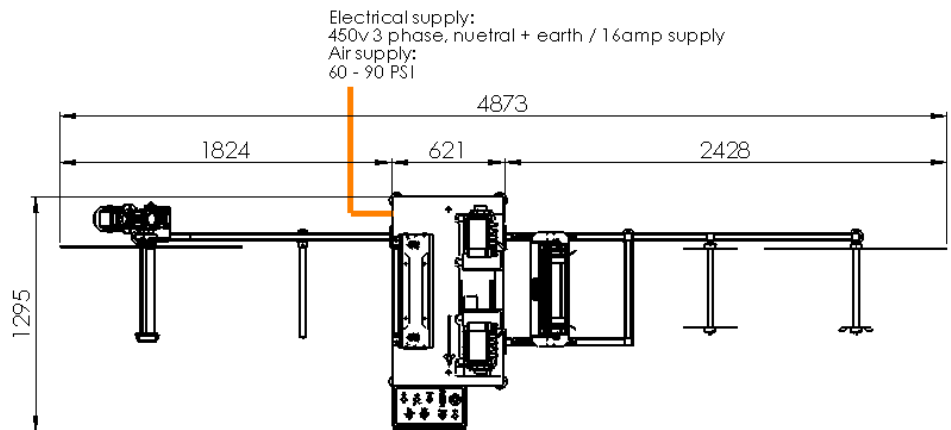
- LH and RH overlocking sewing heads.
- Large capacity infeed roll frame.
- Material runout detection for all 3 fabric layers.
- Simple waste material run off, with air blow assistance.
- Adjust widths from 8" to 20" (machine type dependant)
- Capable of stitching heavy-duty material.
- Simple running controls, with:
 - Speed adjustment
 - Run each head independently
 - Manual jog feed.
 - Rewind works in both directions.
- Independent sewing head on/off function for single or double side serging.
- Unique inverter driven rewind system to create tighter rolls, meaning more material on each roll.
- Power and reliable motor drive.
- Full safety electrical circuit.
- Fully CE marked.

For more information on any of our products or services please email us at:
sales@mattresstek.co.uk or visit us at:
www.mattresstek.co.uk

SERVICES AVAILABLE

- Technical Support Installation and Setup
- Bespoke Machine Designs
- Maintenance
- Parts
- Hardware Support
- Warranty work and lifetime support

[MachineLayout]



[MachineTEKSpecification]

MACHINE TYPE	SEWING AREA	ELECTRICAL & AIR REQUIREMENTS
SERGETEK-16	8" to 16" WIDE 200mm to 400mm	450V, 3 phase, neutral + earth / 80 PSI – 5.5Bar
SERGETEK-20	8" to 20" WIDE 200mm to 500mm	450V, 3 phase, neutral + earth / 80 PSI – 5.5Bar
OTHER SIZES AVAILABLE ON REQUEST	N/A	N/A



Unit 12A, Metcalf Drive, Altham Industrial Estate
 Lancashire, United Kingdom BB5 5TU
www.mattresstek.co.uk sales@mattresstek.co.uk
 Tel: +44 (0)1282 479922